



Fogata Grande burning wood

BIG BOLD FIRE

Build a great outdoor wood fire, or install the optional gas log kit.

Fogata Grande is a focal point for any outdoor setting.

FOGATA GRANDE

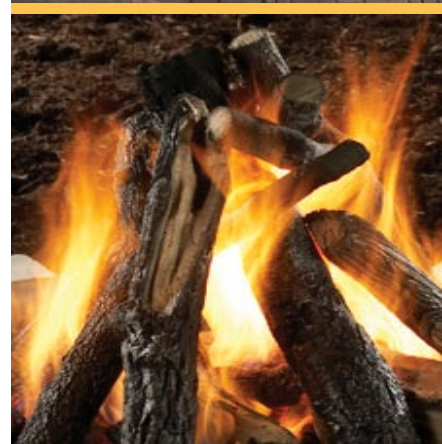
Whether it's a cool evening with family, friends or neighbors gathered around to reconnect with each other, or a relaxing night alone with a loved one, the Fogata Grande fire pit can warm up any moment.

With its appealing ironsmith's looks and bold, daring finishing details, the Fogata Grande is designed to last for many years in any outdoor area as it slowly weathers with the seasons, taking on the characteristics of distressed concrete and iron, and blending with your other outdoor fixtures.

QUADRA-FIRE[®]
NOTHING BURNS LIKE A QUAD



With optional gas log kit



FOGATA GRANDE FIRE PIT



Standard Accessories



Optional Gas Log Kit

The Fogata Grande fire pit is an excellent addition for home, cabin and resort owners who want to turn an existing outdoor living area into a fun, warm gathering place. With its large size and ability to produce over 40-inch high flames, the Fogata Grande provides an attractive alternative to in-ground fire pits. Plus, its durable cast-iron construction withstands rain, snow and sun while its easy-to-use design means years of trouble-free operation.

Standard Accessories

- Classic iron finish will naturally weather and change depending on climate
- 42-inch diameter cast iron bowl
- Durable, naturally distressed concrete support legs
- Heavy-duty log grate

Optional Gas Log Kit includes:

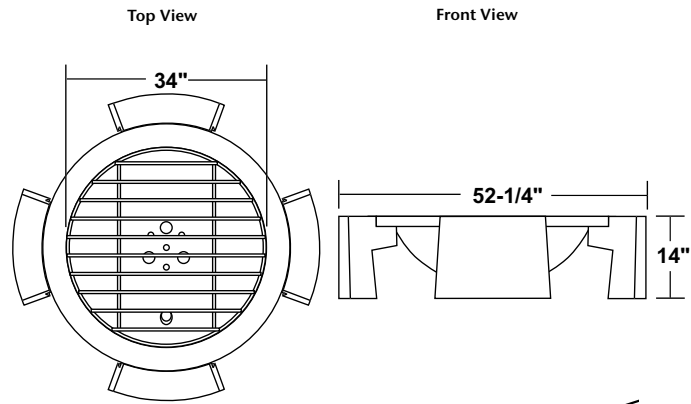
- 21-piece log set
- 3-ring stainless steel burner
- Volcanic lava rock
- Lava rock retainer screen (not shown)
- Safety pilot ignition system
- Outdoor safety pilot control valve



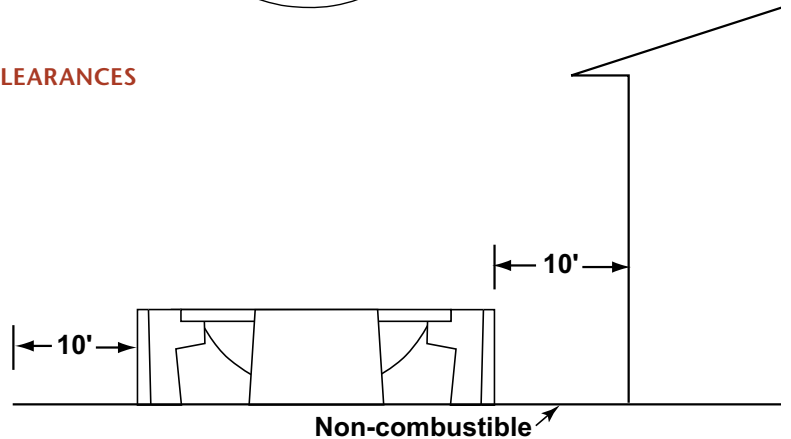
1445 North Highway, Colville, WA 99114
www.quadrafire.com • 800-926-4356

QDF-1037U-0507

DIMENSIONS



CLEARANCES



TECHNICAL

GAS

BTU/Hour Input.....	180,000 (NG or LP)
Shipping Weight.....	428 lbs.

Variations such as brush strokes and small pits are naturally occurring in the hand finished molding process for the solid cast iron fire pit bowl. You should expect to see natural weathering such as surface rust, paint flaking, and staining as it is a characteristic of the material and enhances the distressed appearance of your fire pit over time. The durability and integrity of your fire pit is not affected by natural surface weathering. Similarly, the natural wear, pits, and staining of the durable concrete support legs is intentional and adds to the rugged outdoor affect of your fire pit.

Quadra-Fire offers a one year warranty on our outdoor wood and gas heating appliances to the original purchaser to be free from defects in material and workmanship. For full warranty details go to www.quadrafire.com.



Refer to the Owner/Installation Manual for complete clearance requirements and specifications. The images and descriptions in this brochure are provided to assist you in product selection only. Actual product appearance, including flame, may differ from product images.

Quadra-Fire is a registered trademark of Hearth & Home Technologies. Product specifications and pricing subject to change without notice.

Available From: